



ISO 9001-2008 Certified

MASCOT®

Radial Piston Hydraulic Motor



- ✓ LD Series
- ✓ MD Series
- ✓ MDS Series
- ✓ 820 Series
- ✓ HD Series



820-series

MASCOT 820 Series Hydraulic Motors aim to provide high torque for high speed applications. These motors incorporate the “high-flow” distribution system. These motors are extensively used for Wagon tippler and high inclination conveyors where high brake torque is required. Hydraulic brake (static) upto 16000 kgm are used in these motors which made these motors an ideal choice for high braking torque application.

The motor displacements available range from 15 lit/rev. to 30 lit/rev. These motors can take heavy shock load due to incorporation of robust front bearing arrangement.

Options

- ✓ Customized shaft
- ✓ Integral multi plate disc brake
- ✓ High speed versions
- ✓ Double shaft
- ✓ Super low noise
- ✓ Corrosion resistant material
- ✓ Through hole shaft of various sizes
- ✓ Custom finish
- ✓ Deep water submersible
- ✓ Non magnetic material
- ✓ Dual displacement

Features

- ✓ Long life
- ✓ High mechanical efficiency
- ✓ Constant torque output
- ✓ Smooth low speed performance < 1rpm
- ✓ Resistance to thermal shock
- ✓ Double shaft sealing
- ✓ Shrink disc coupling
- ✓ Shaft or flange mounting
- ✓ Shock resistance
- ✓ Low noise

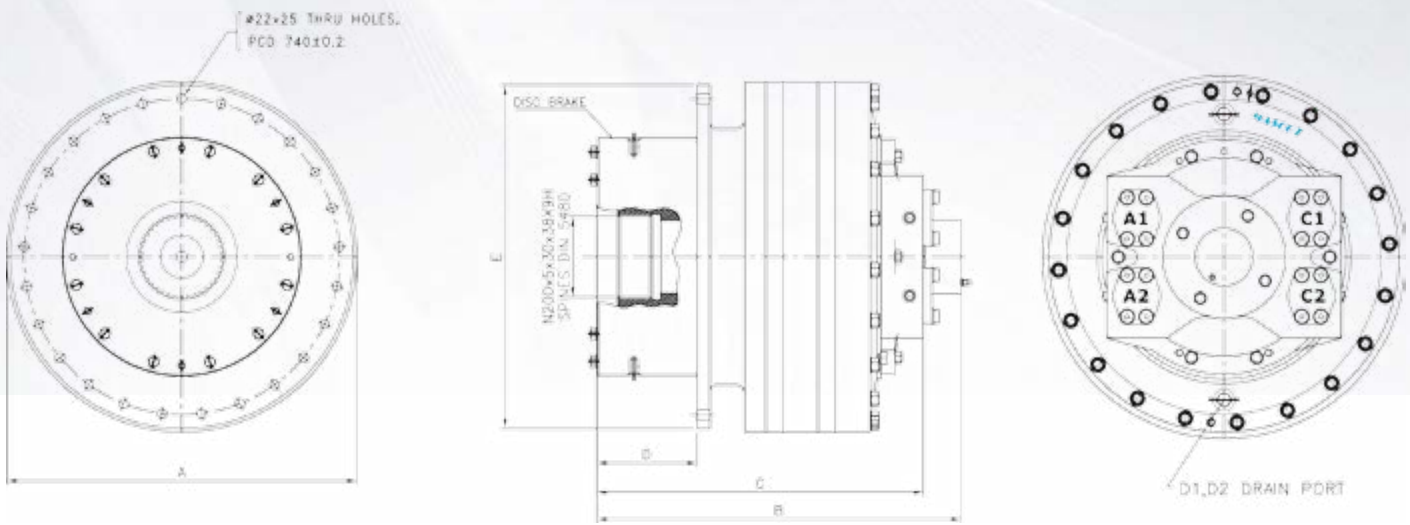
MOTOR FRAME SIZE	SPECIFICATION							
	DISP(*) PER REV	TORQUE (THEORETICAL)	TORQUE MAX	SPEED RATED	SPEED MAX**	PRESSURE RATED	BRAKE HOLDING TORQUE/ ROLL BACK TORQUE	BRAKE RELEASE PREASURE
METRIC	CM ³ /REV	NM/BAR	NM	RPM	RPM	BAR	Nm	BAR
820-HMB 15	15180	239	83650	70	100	345	120,000	50
820-HMB 20	20380	324	113400	80	110	345	60,000	50
820-HMB 25	25320	402	132660	40	60	345	60,000	50
820-HMB 30	30580	486	160380	35	50	345	60,000	50

**High speed version upon request.

* Any other displacement upon request.

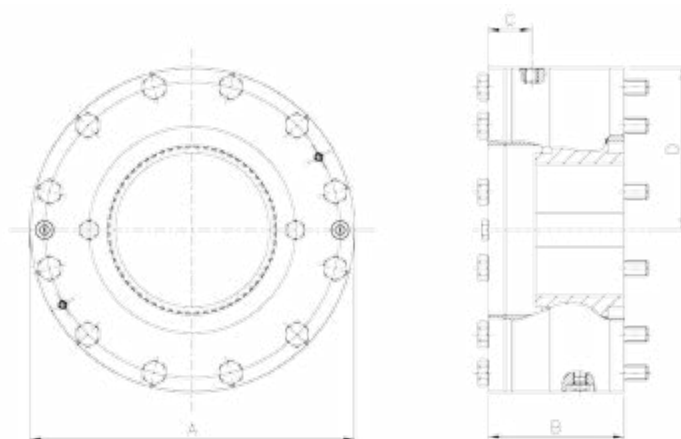
820 series

Motor shaft with female splines



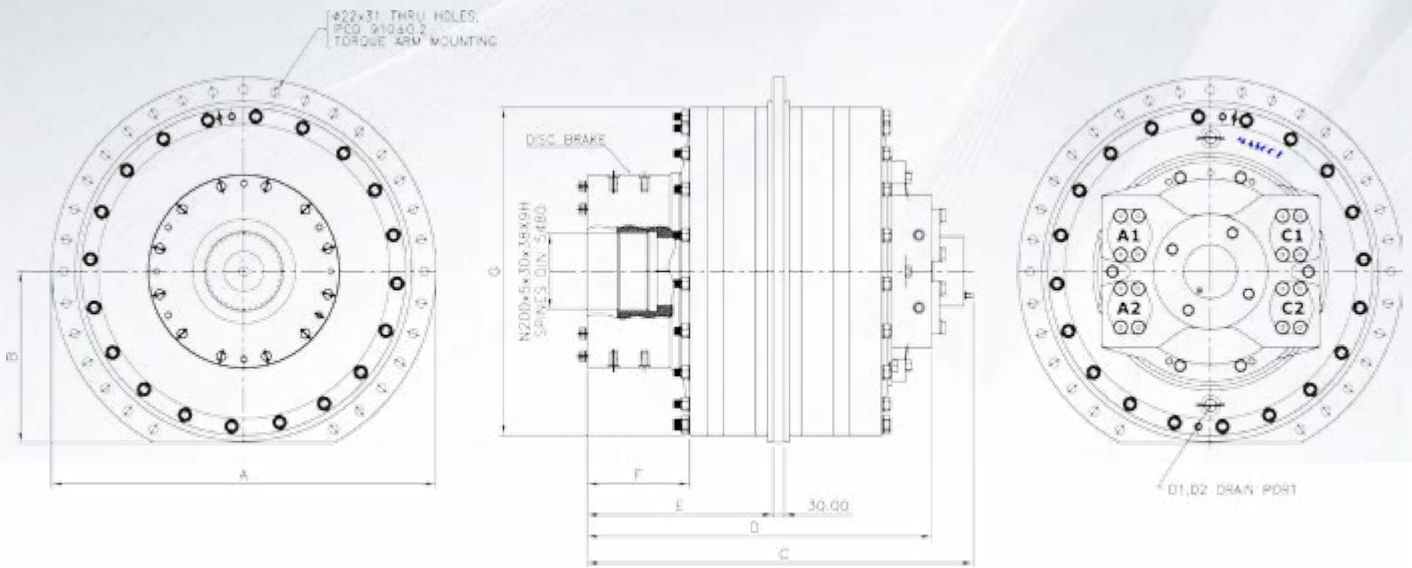
Motor Type	A(MM)	B(MM)	D(MM)	D(MM)	E(MM)	Weight (Kg)	Main Connc (A1,A2,C1,C2)	Drain Connc (D1,D2)
HMB 15	820	853	764	235	803	1300	SAE 2"	1" BSP

Brake (Static/Parking)



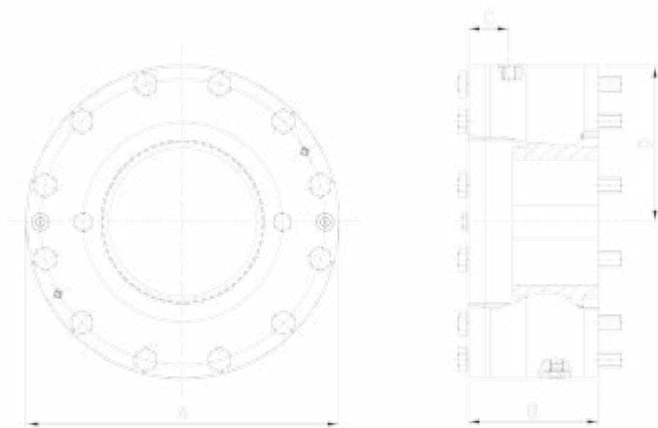
Motor Type	A(MM)	B(MM)	C(MM)	D(MM)	Break Release Pressure	Break Torque NM Max
HMB 15-820	555	247	84	277.5	50 Bar	1,20,000

* Technical Dimensions are subject to change without prior notice



Motor Type	A(MM)	B(MM)	C(MM)	D(MM)	E(MM)	F(MM)	G(MM)	Weight (Kg)	Main Connec (A1,A2,C1,C2)	Drain Connec (D1,D2)
HMB 20	970	428	975	870	467	260	820	1650	SAE 2"	1" BSP
HMB 25	970	428	975	870	467	260	820	1650	SAE 2"	1" BSP
HMB 30	970	428	301	870	467	260	820	1650	SAE 2"	1" BSP

Brake (Static/Parking)



Motor Type	A(MM)	B(MM)	C(MM)	D(MM)	Break Release Pressure	Break Torque NM Max
HMB 20,25,30	480	211	86	240	50 Bar	60,000

* Technical Dimensions are subject to change without prior notice

Application for High Torque Gearless Hydraulic System



Pulp & Paperindustry

- ▶ waste paperhandling
- ▶ cooking process
- ▶ washing and bleaching

Rubber& Plastics

- ▶ winch drives
- ▶ steering
- ▶ dredgers
- ▶ crawlers
- ▶ drive barges

Mining

- ▶ kiln drivers
- ▶ driers
- ▶ chemical
- ▶ evaporators
- ▶ mixers
- ▶ reactors
- ▶ dryers

Power

- ▶ conveyor
- ▶ reclaimer
- ▶ stacker
- ▶ bogie drives
- ▶ unloaders

Marine

- ▶ mouldingmachines
- ▶ process machines
- ▶ belt process
- ▶ screw drives

Material Handling

- ▶ conveyors
- ▶ wagon tippers
- ▶ side arm charges
- ▶ paddle feeders
- ▶ apron feeders
- ▶ stacker reclaimers
- ▶ crushers

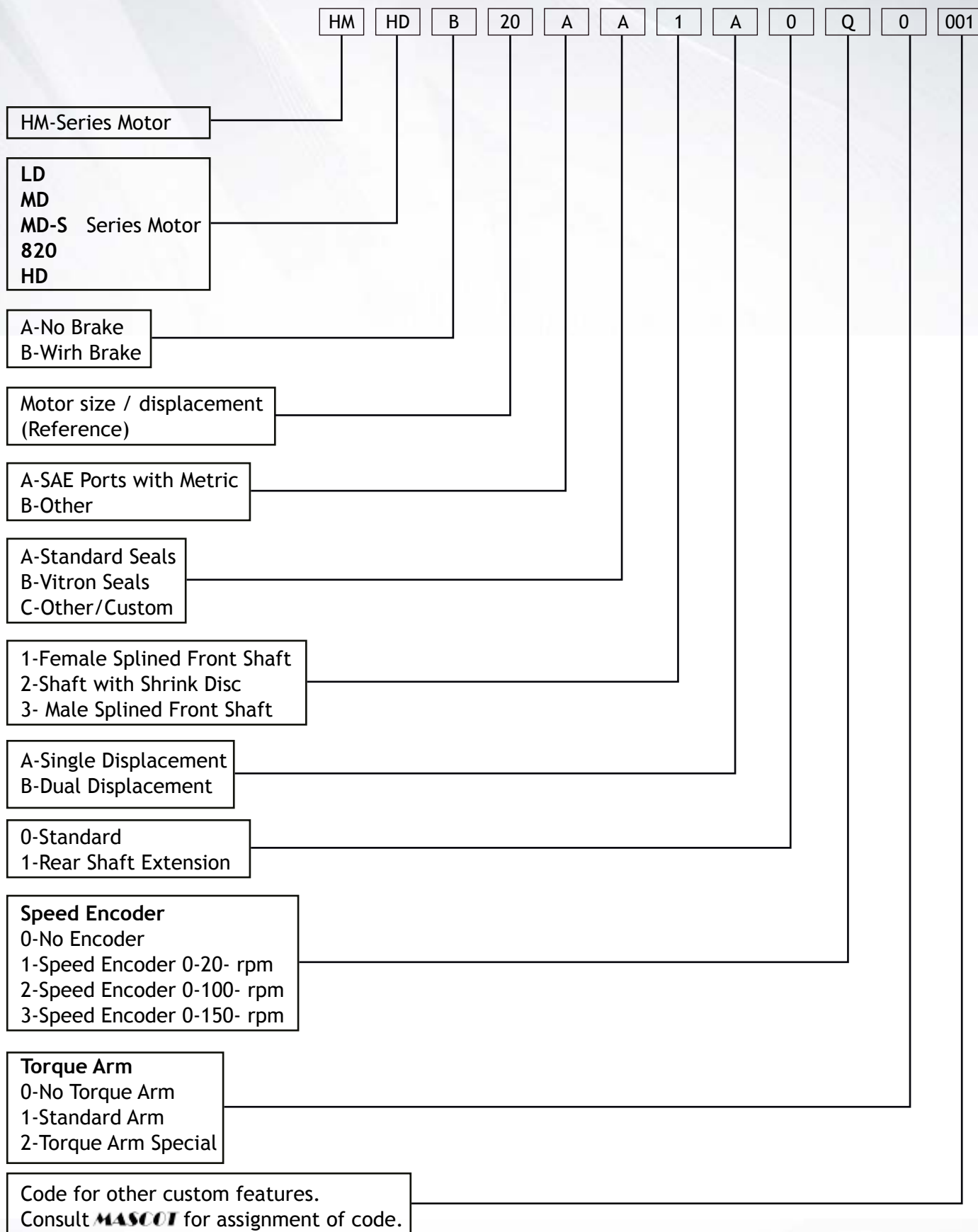
Cement

- ▶ mill drives
- ▶ pressure feeders
- ▶ cane carriers
- ▶ cane unloaders

Sugar

- ▶ ball mills
- ▶ bowl mills
- ▶ feeder conveyors
- ▶ ash handling
- ▶ feeding gates
- ▶ conveyors

Technical data sheet-model destination code





ISO 9001-2008 Certified



MAHA HYDRAULICS PRIVATE LIMITED

Plot No. F - 62, SIPCOT Industrial Complex
Irungattukottai, Sriperumbudur Taluk
Kanchipuram District - 602 105
Tamil Nadu, India.

Tel : +91- 44 - 4719 3081 / 82 / 83
Fax : +91- 44 - 4719 3080
Email : sales@mahahydraulics.com
web : www.mahahydraulics.com